

SD2080

2×8 SDI/ HDMI
SPLITTER & CONVERTER

AVMATRIX®



SD2080

**2×8 SDI/ HDMI
SPLITTER & CONVERTER**

1. Brief Introduction

1.1 Overview

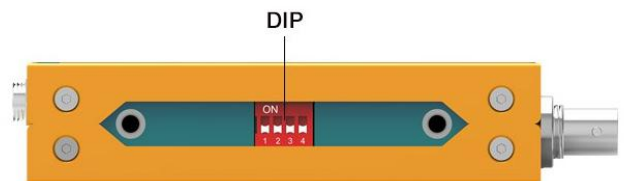
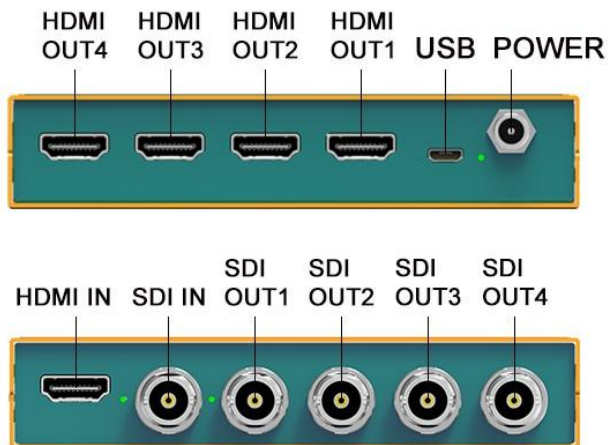
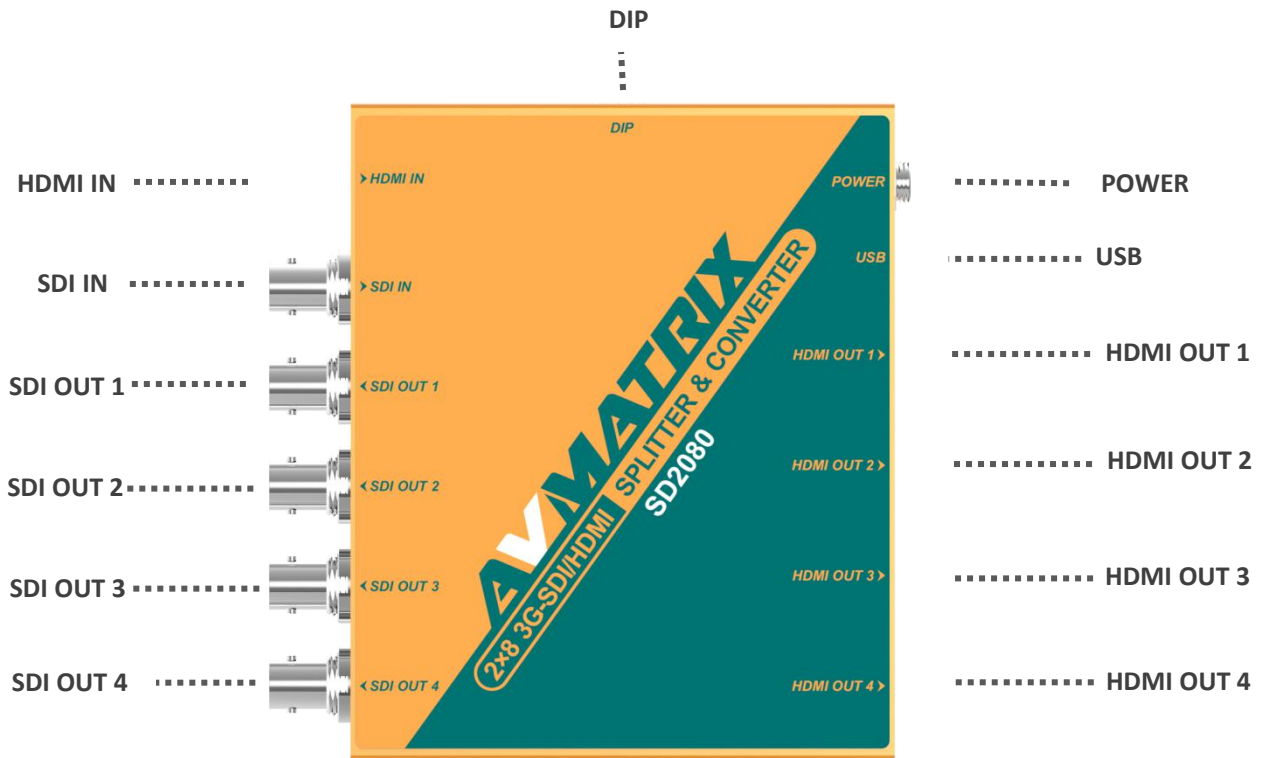
SD2080 is a professional splitter & converter converting between SDI and HDMI signals. It is capable of transmitting and distributing the input signal into eight parallel SDI and HDMI outputs for eight different connected device outputs simultaneously. All functions can be easily set via the dip switches. SD2080 is ideal for broadcast and AV post-production applications.



1.2 Main Features

- Auto-detected input: 1×HDMI/1×3G-SDI
- Pass through output: 4×3G-SDI, 4×HDMI
- Distribute and convert between SDI & HDMI
- SDI with equalization and re-clock
- Input and output support up to 1080p60
- Switching input signal easily via DIP switches
- USB and threaded locking DC power supply
- Detachable bracket design for wall mounting

2.Interfaces

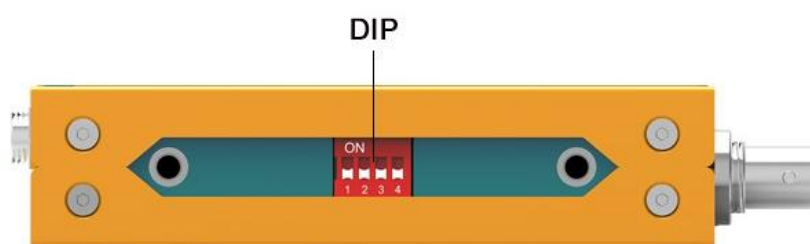


3. Specification

INPUTS	HDMI Video Input	HDMI Type A x1
	SDI Video Input	SD/HD/3G-SDI x1
OUTPUTS	HDMI Video Output	HDMI Type A x4
	SDI Video Output	SD/HD/3G-SDI x4
FORMAT	SDI Input Format Support	1080p 60/59.94/50 1080p 30/29.97/25/24/23.98 1080psf 30/29.97/25/24/23.98 1080i 60/59.94/50 720p 60/59.94/50/30/29.97/25 625i 50, 525i 59.94
	SDI Video Rate	SD/HD/3G-SDI
	SDI Compliance	SMPTE 292M, SMPTE 259M, SMPTE 424M
	SDI Color Space and Precision	YUV 4:2:2
	SDI Output Format Support	1080p 60/59.94/50 1080p 30/29.97/25/24/23.98/23.976 1080i 60/59.94/50 720p 60/59.94/50 625i 50 525i 59.94
	HDMI Input Format Support	1080p 60/59.94/50 1080p 30/29.97/25/24/23.98 1080i 60/59.94/50 720p 60/59.94/50/30/29.97/25 576i 50, 480i 59.94
	HDMI Color Space and Precision	RGB 4:4:4, YUV 4:2:2, YUV 4:4:4

	HDMI Output Format Support	1080p 60/59.94/50 1080p 30/29.97/25/24/23.98 1080i 60/59.94/50 720p 60/59.94/50/30/29.97/25 576i 50, 480i 59.94
SIZE	Dimension (LWD)	125.5×104×24.5mm
	Weight	485g
POWER(USB)	Power Connector	DC 12V
	Current	550mA
	Voltage Range	6~28V
	Power Consumption	6.6W
ENVIRONMENT	Operating Temperature	-20℃~ 60℃
	Storage Temperature	-30℃~ 70℃
	Relative Humidity	0%-90% non-condensing
Accessories	Accessories	1× power supply (12V 2A) , 2× Bracket

4. DIP Function



1. DIP SW 1

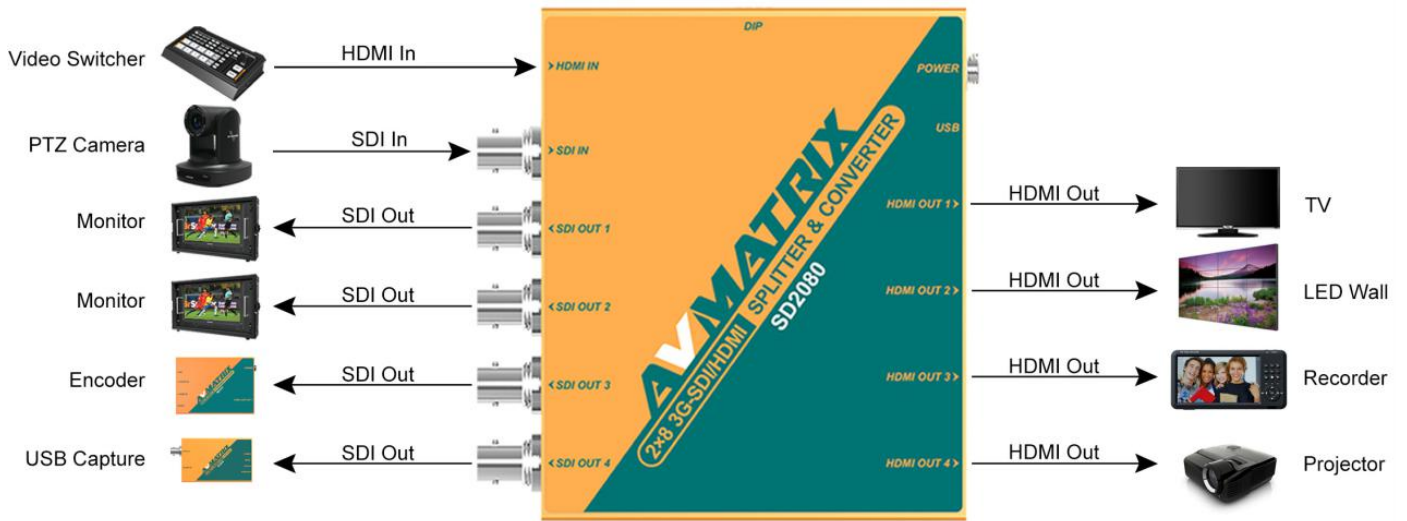
This switch is used to switch between SDI mode and HDMI mode.

When W1 is set to 0, it switches to HDMI mode, when W1 is set to 1, it switches to SDI mode.

2. DIP SW 2-SW4

This switch is used as a reserved key and has no function.

5.Connection Diagram



6.Bracket Mounting

